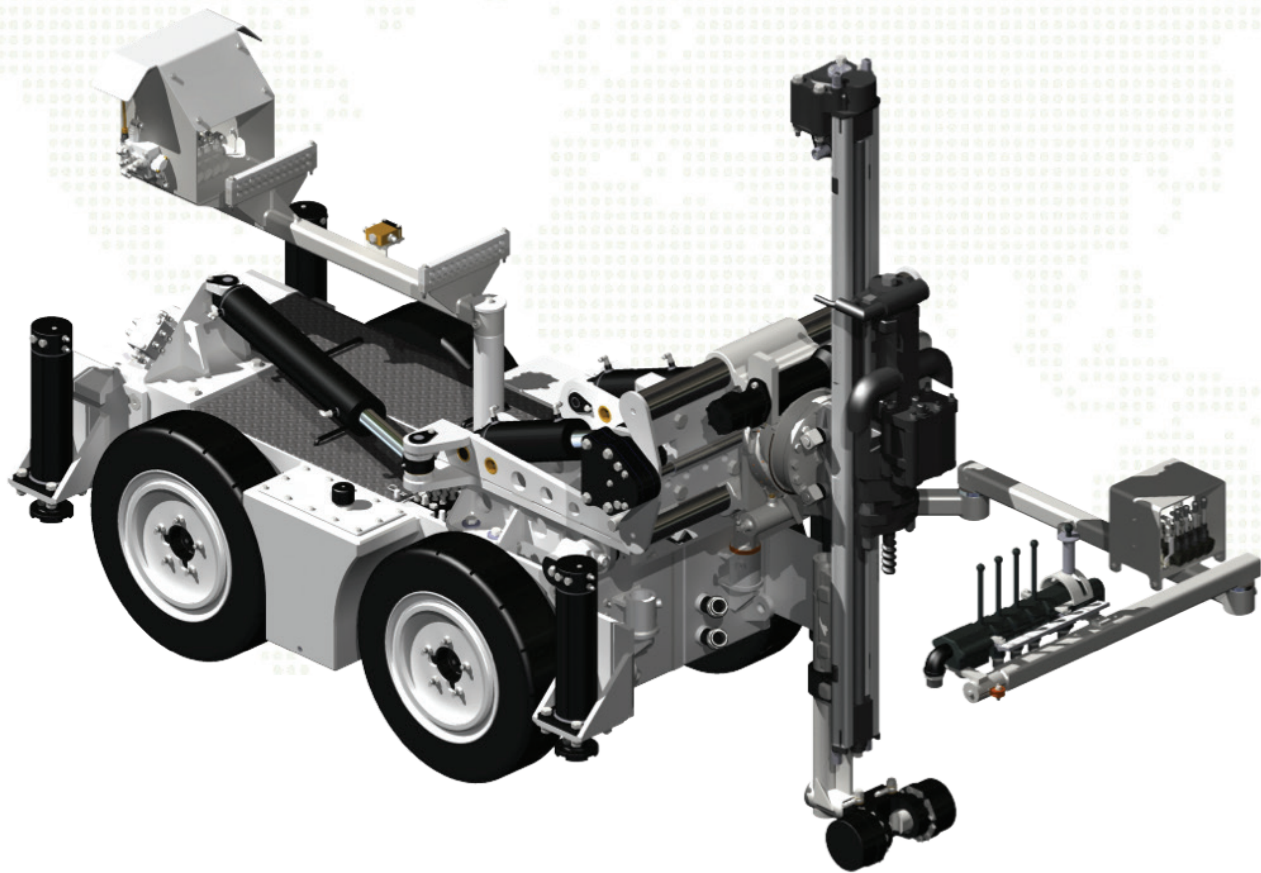


AN INTERNATIONAL OUTLOOK, A PERSONALIZED SERVICE

CMAC *PLH*

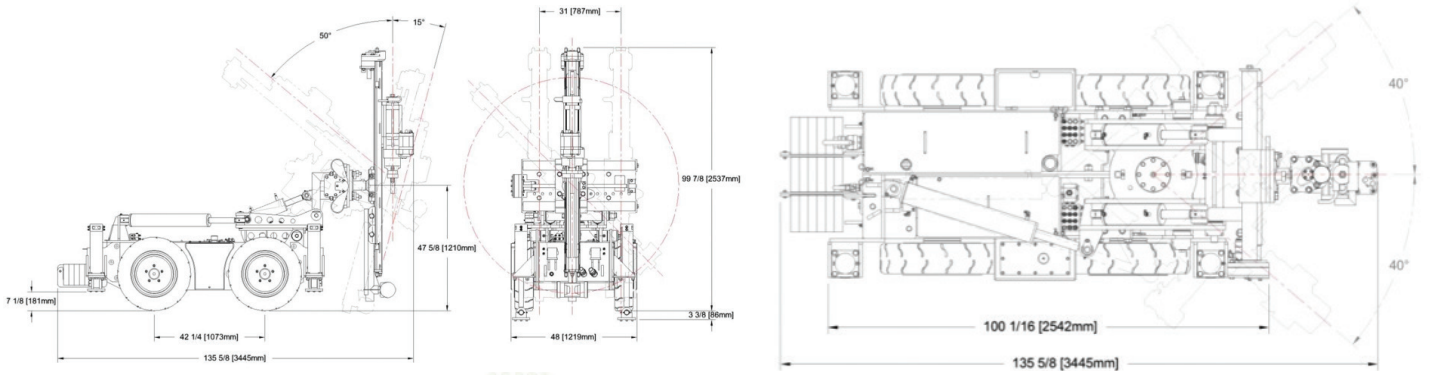
CMAC-Thyssen Production drilling rigs **PLH - PNEUMATIC LONG HOLE**



The CMAC PLH is a pneumatic/hydraulic drilling rig for production long-hole drilling and ground support applications for underground mining. The CMAC PLH is a popular pneumatic drill used for long-hole drilling in narrow-vein underground operations.

This PLH is designed with emphasis on ergonomics and security for the operator as well as simple but durable and efficient mechanical components. In addition to being safe and easy operate, the positioning table is fast, precise and covers a wide area without multiple setups.

The modular design of the PLH allows it to be dismantle into section that can pass through a hole of 40" x 40" (1m x 1m) and reassemble in no time. Largest part weighs only 1,100 kg. Optimum drilling: 64mm diameter / 30m deep.



STANDARDS FEATURES

Drill feed

Model	MKV
Rod length	3/4/5/6 ft (0.9, 1.2, 1.5, 1.8m)
Drill steel	R32 - T38

Controls

Remote pneumatic controls	rotation
	air / water flushing
	centraliser
	feed
Front hydraulic controls	hammer
	feed screw
	table angle

Tramming possibilities

Tramming speed, approximate	2 km/h
Maximum operating grade	up to 25%
Weight, approximate	8 200 lbs (3 720 kg)

Rock drill

Model	Secan S36 IR
Standard male shank	R32 - T38
Weight	120 kg
Impact frequency	1630 / min at 500 kPa
Air consumption	14 m ³ /min at 500 kPa

Carrier

Hydraulic tank	35L
Automotive hydrostatic transmission	
One pump	200 cm ³ /rev
	geometric displacement
Four wheel-motor	Planetary
Tires	700-15-5.5"
Service brake	hydrostatic transmission
Parking brake	spring applied
	hydraulic released

Stabilizers

Front	2 hydraulic jacks
Rear	2 hydraulic jacks

Options

Remote drilling and remote traction available.